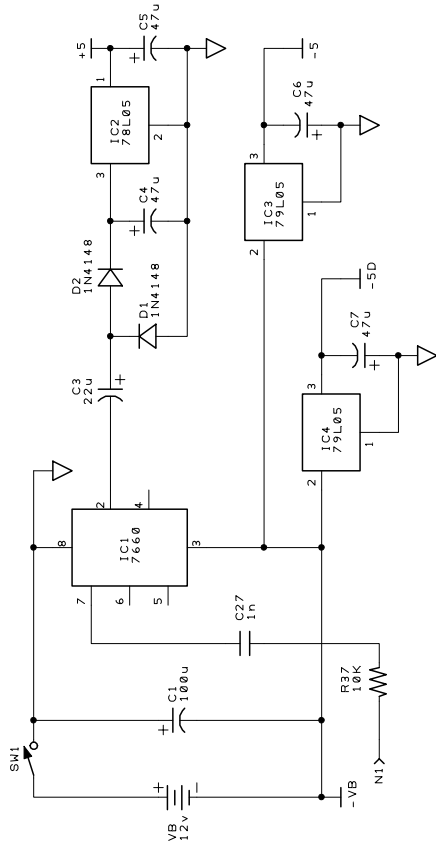
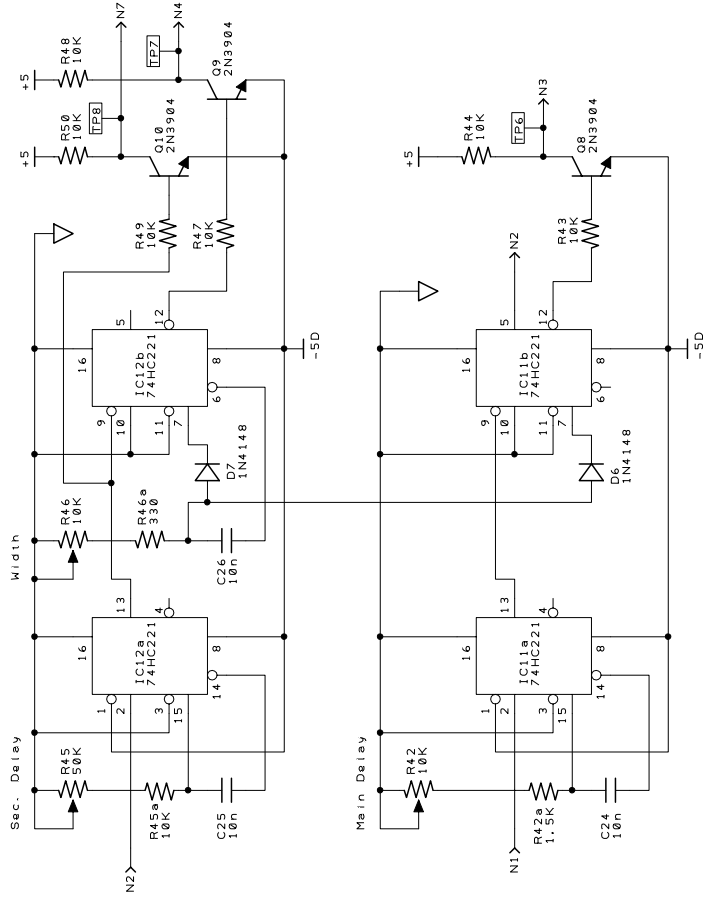


# Hammerhead SMT

## Pulse Induction Metal Detector

Rev C2 - 31May2006 - Carl Moreland



# Hammerhead SMT

## Pulse Induction Metal Detector

Rev C2 - 31May2006 - Carl Moreland

