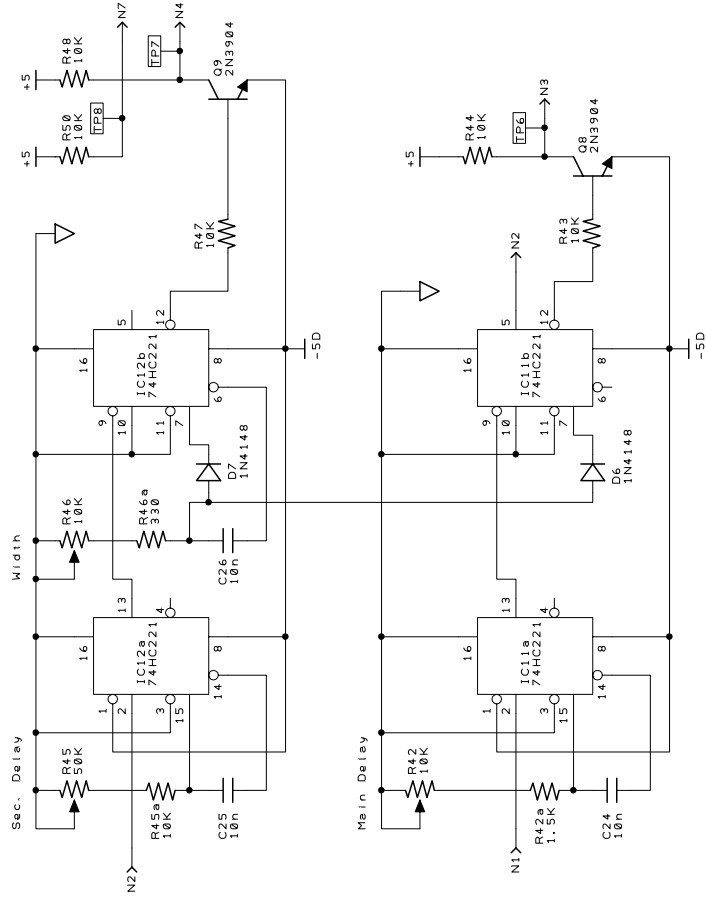
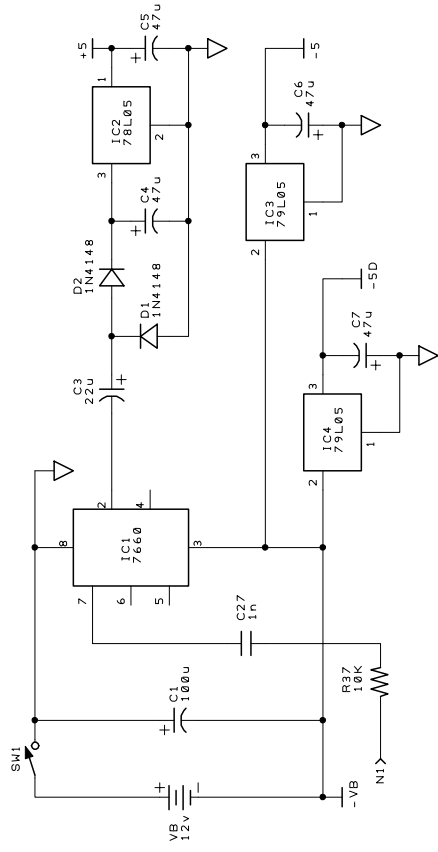
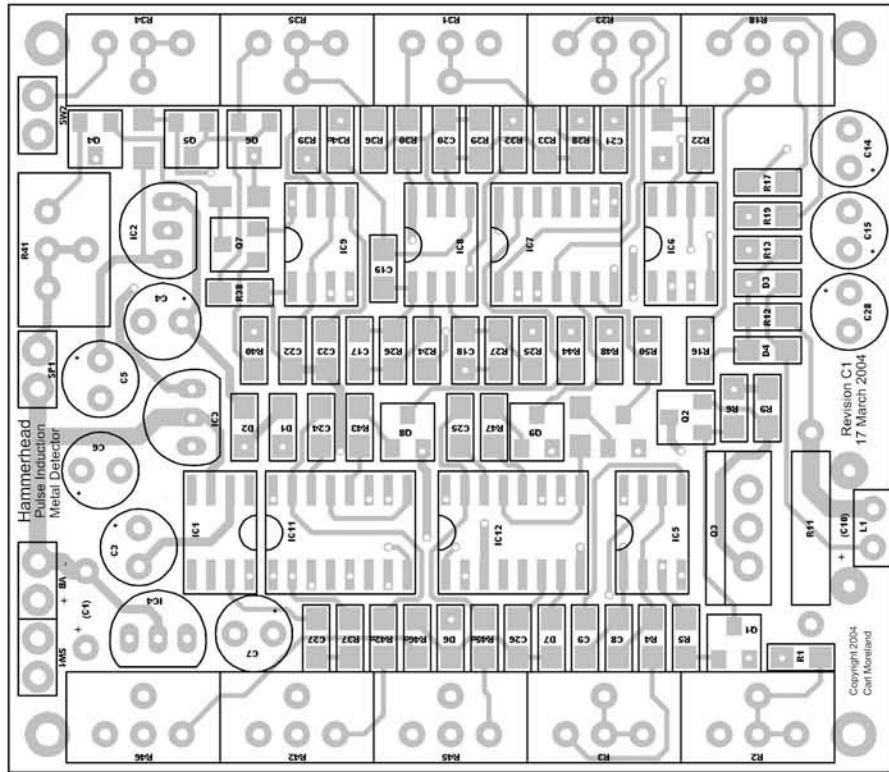
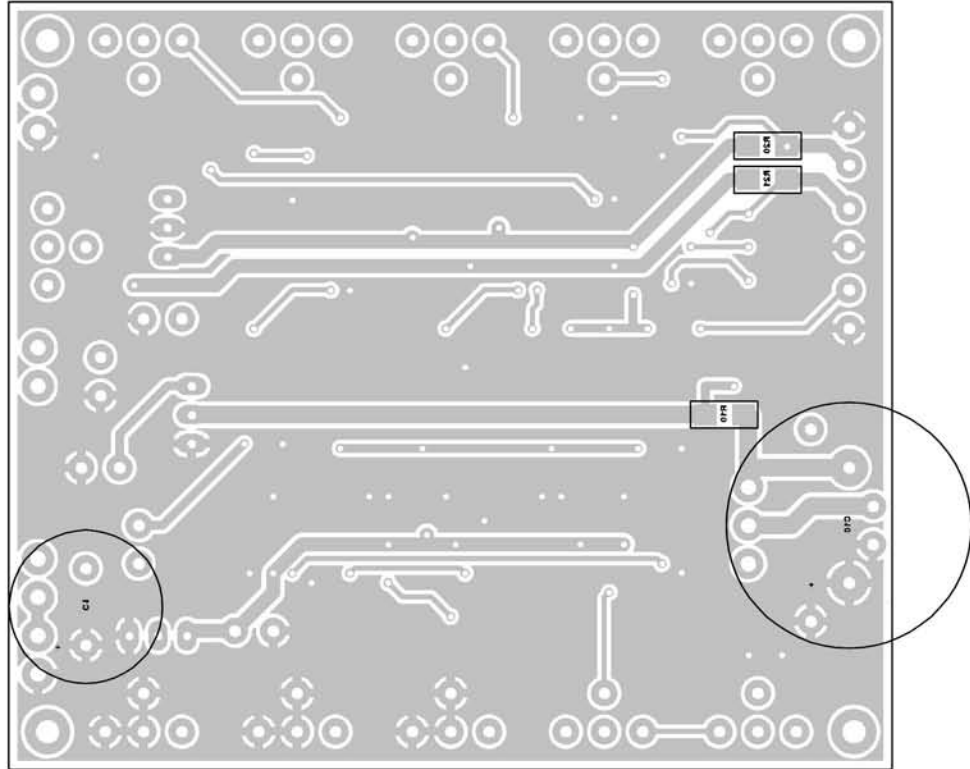


Hammerhead SMT

Pulse Induction Metal Detector

Rev C2 - 31May2006 - Carl Moreland Option 1





Option 1