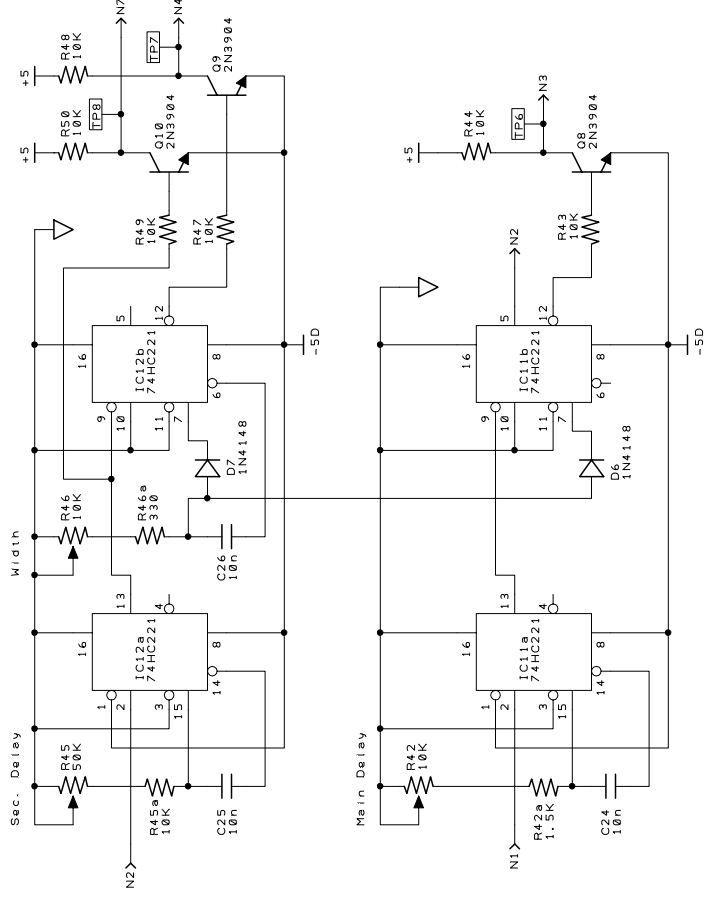
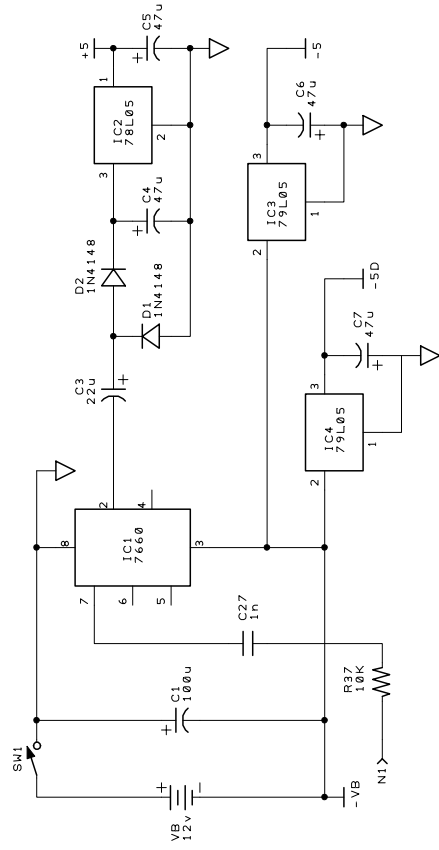


# Hammerhead SMT

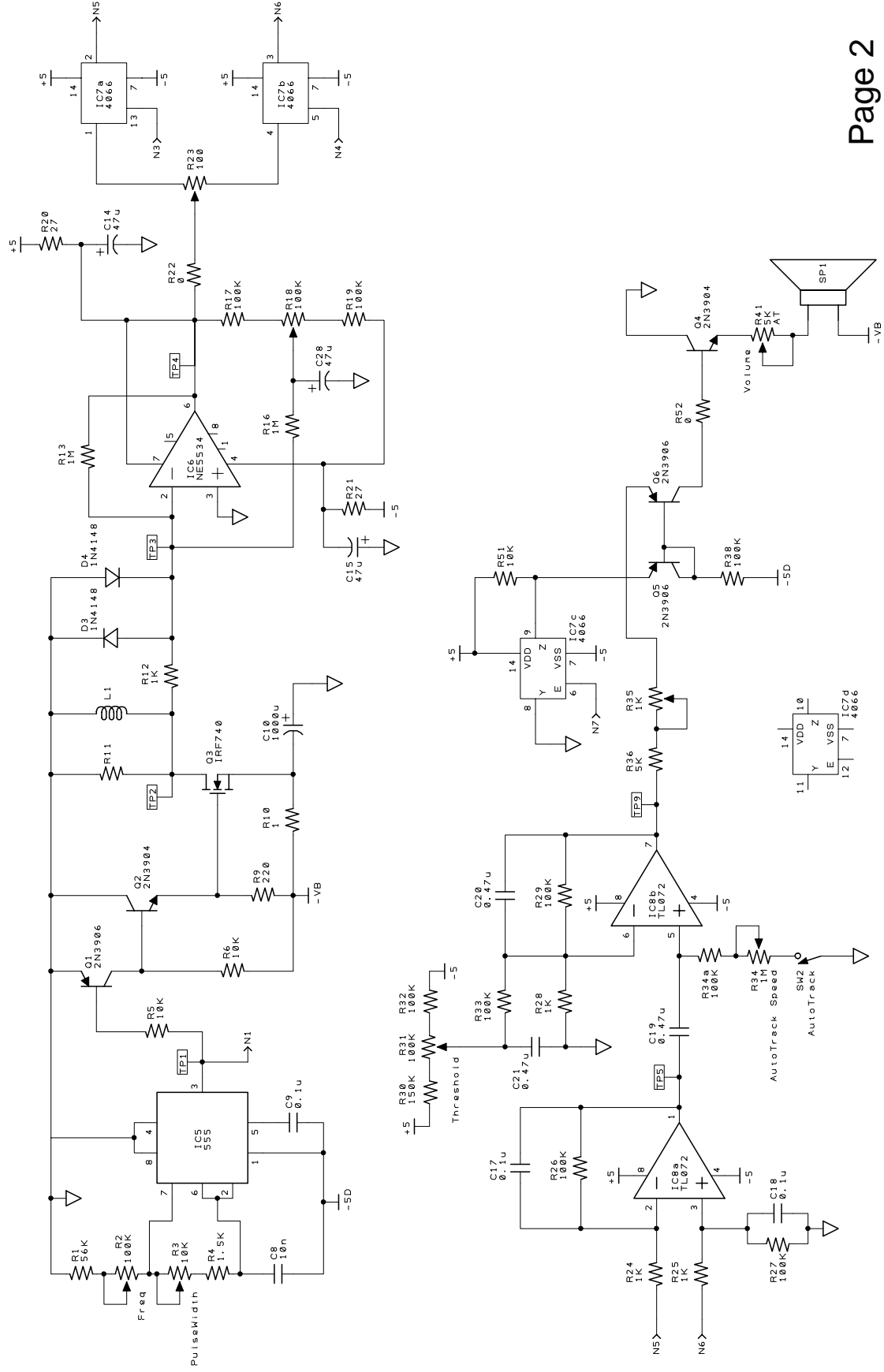
## Pulse Induction Metal Detector

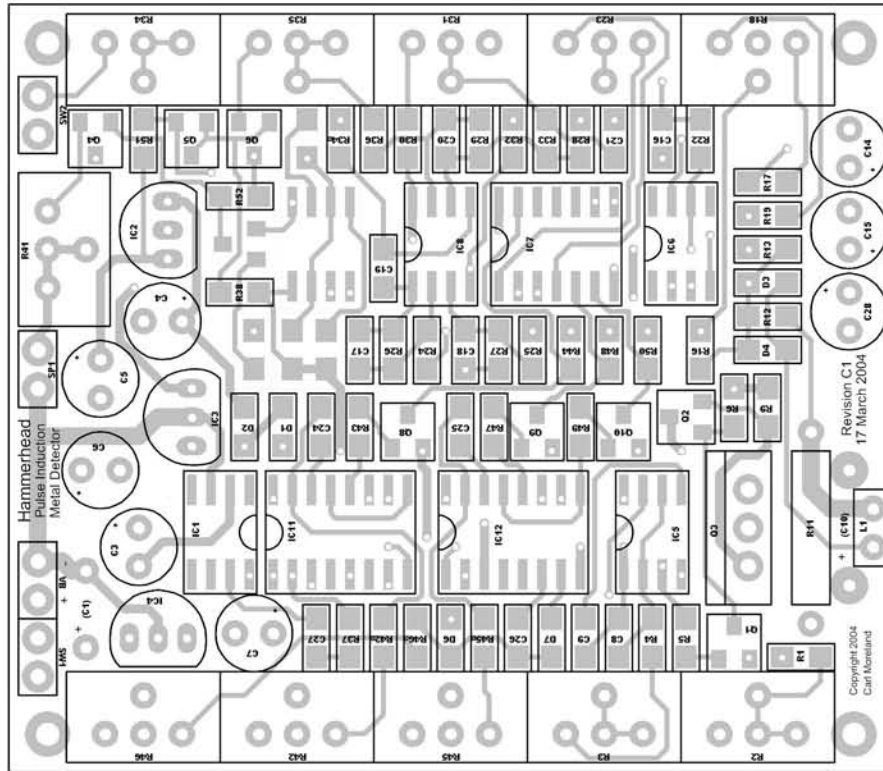
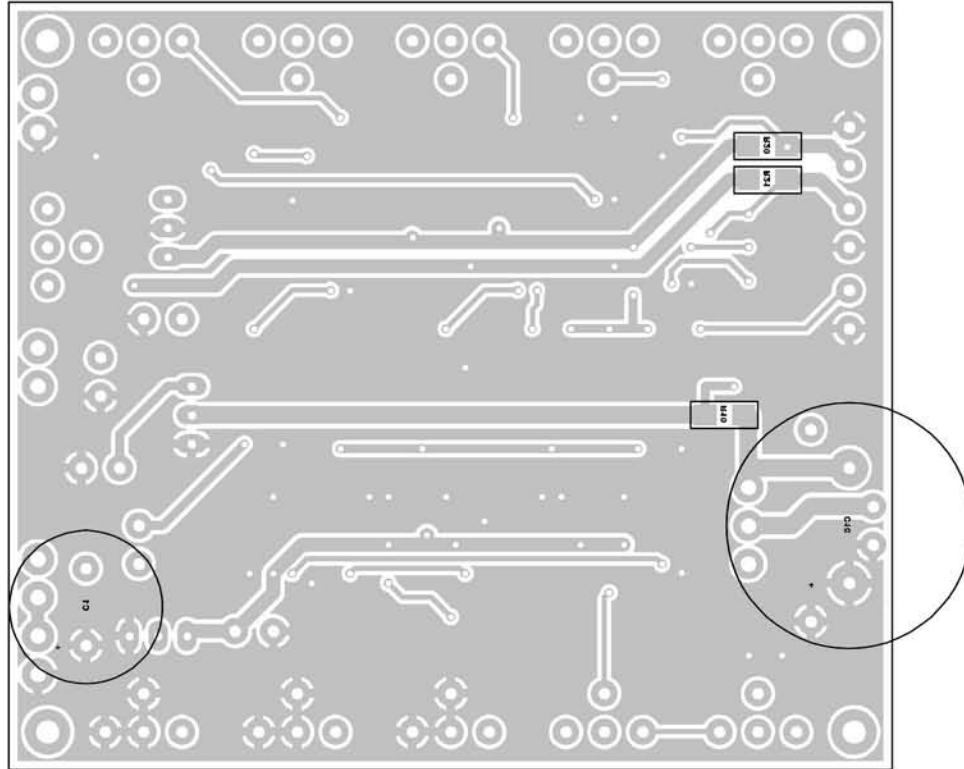
Rev C2 - 31May2006 - Carl Moreland Option 2



# Hammerhead SMT Option 2

Rev C2





Option 2