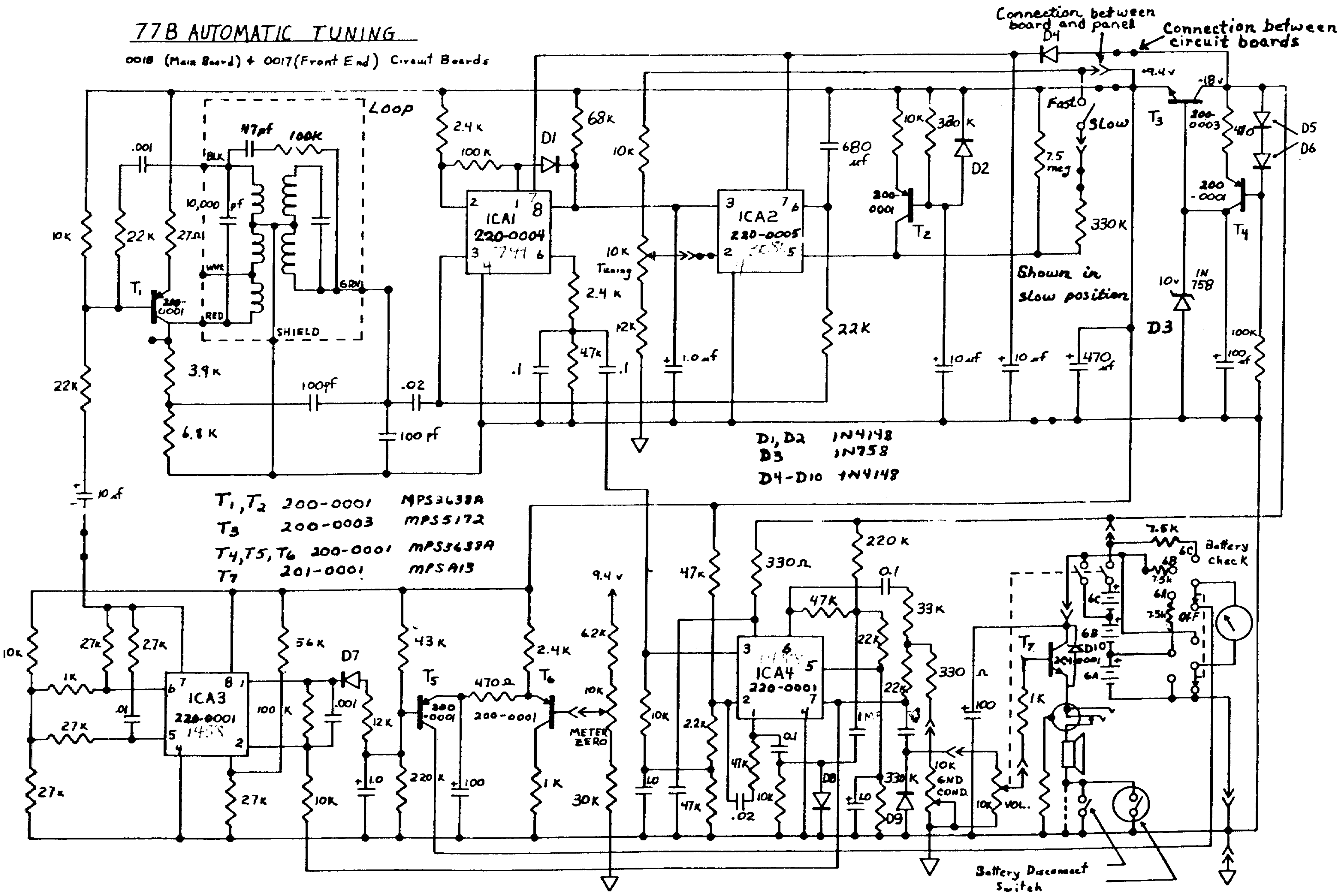


77B AUTOMATIC TUNING

0018 (Main Board) + 0017 (Front End) Circuit Boards



Connection between board and panel D4
 Connection between circuit boards

Shown in slow position

Battery Disconnect Switch

Battery check

METER ZERO

VOL.

GND COND.