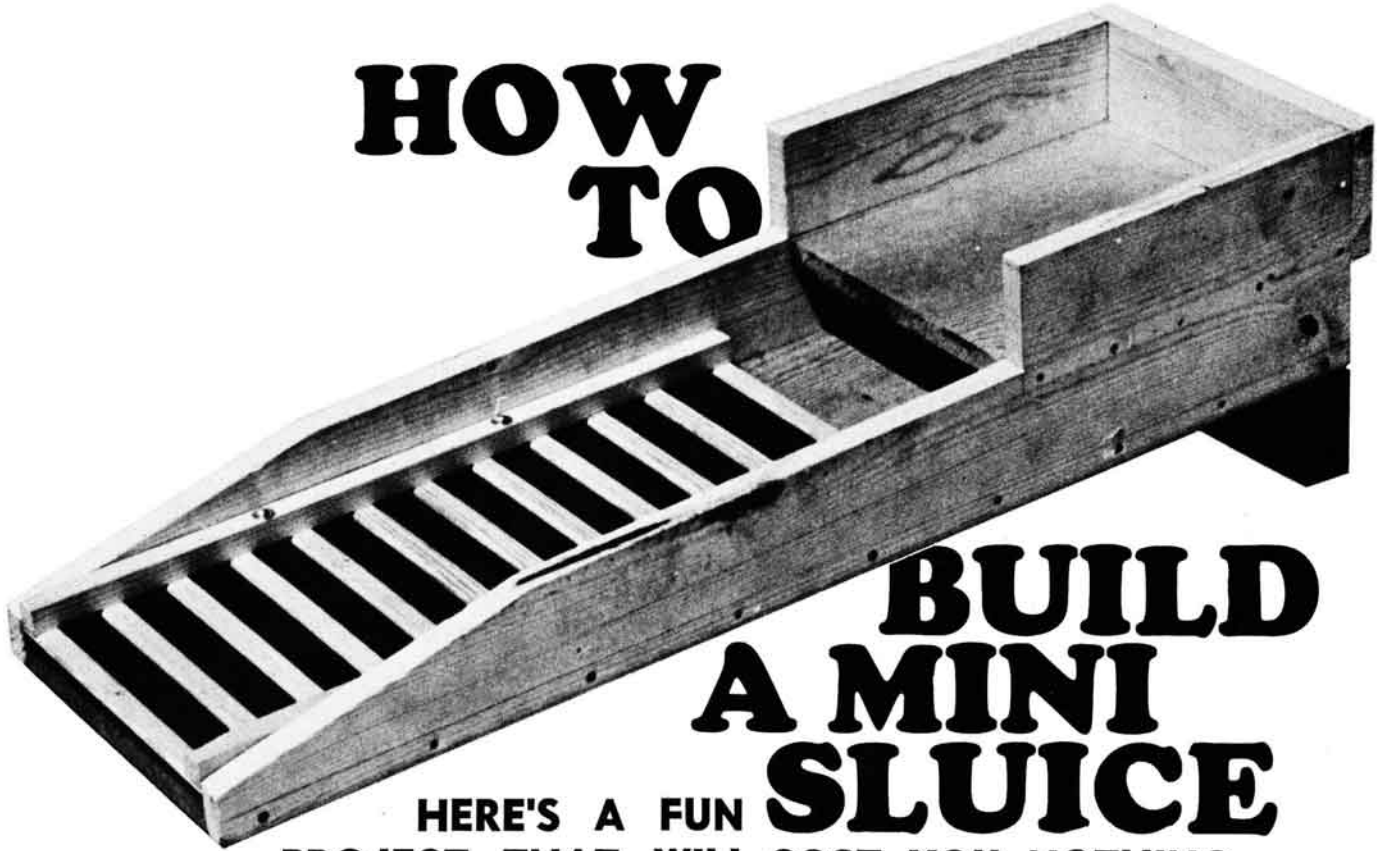


HOW TO



BUILD A MINI SLUICE

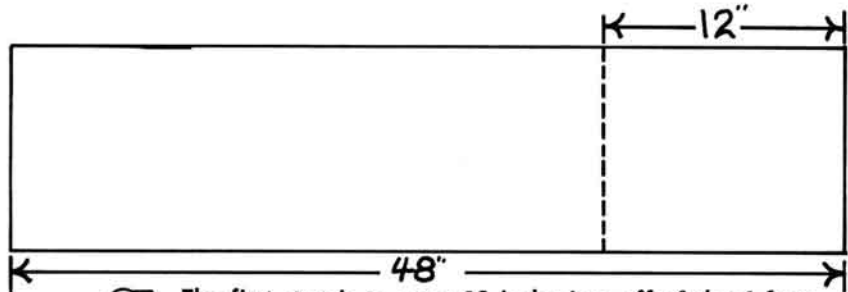
HERE'S A FUN PROJECT THAT WILL COST YOU NOTHING BUT A FEW HOURS WORK AND ABOUT \$5.00

Here we are again in the grip of winter, and most of us spend a great deal of time looking for things to do on those rainy afternoons; well, fear not, *Treasure* has come to the rescue. Why not build a mini-slucio

If you are a regular reader of *Treasure*, you already know where and what to look for when it comes to finding gold; in our last issue (Vol. 3, No. 6) Jerry Keene went into great detail on the operation and setup of the mini-slucio, therefore we will not cover these points again here.

Below you will find a list of what you will need to build your unit, this has been provided so you can figure the lumber only. **DO NOT** precut the pieces because finished lumber can vary in size and throw off the whole project. Instead cut and fit each piece as you go to insure a perfect fit and a piece of equipment that will last for years.

The most critical part of the slucio is the assembly of the riffle tray, it must be easily removable for washing so remember to allow



The first step is to cut a 12 inch piece off of the 4 foot 1x10. This gives you a 3 foot piece for the main box, plus the 1 foot section for the holding tray.

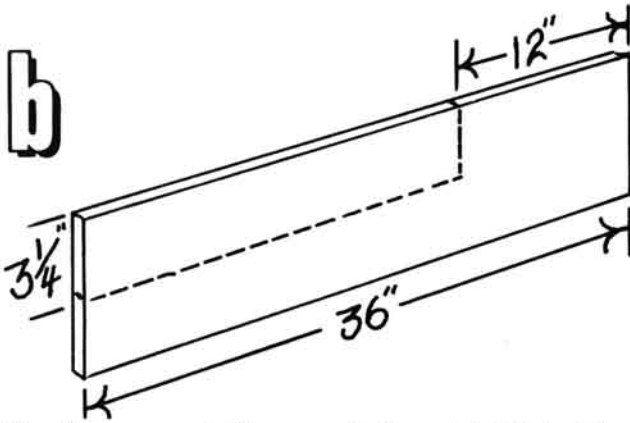
a little extra room to compensate for the wood swelling when wet.

The only other items you will need to operate your slucio are a large bucket and a sifter. Once you find a likely spot, sift the dirt into the bucket, then take it down to the stream and fill the holding tray on the slucio, push it slowly into the riffles for washing, then cross your fingers that some of that yellow stuff shows up.

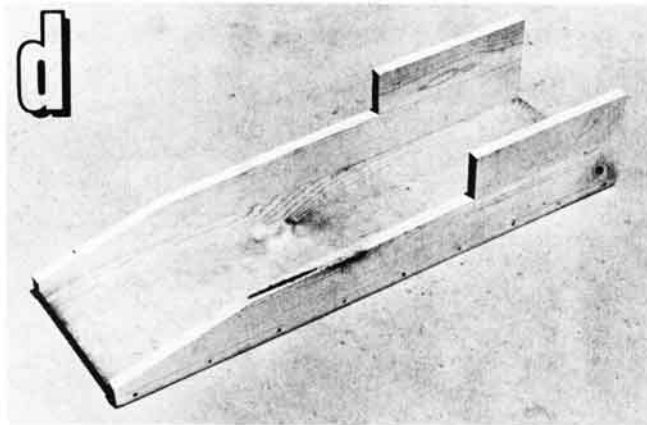
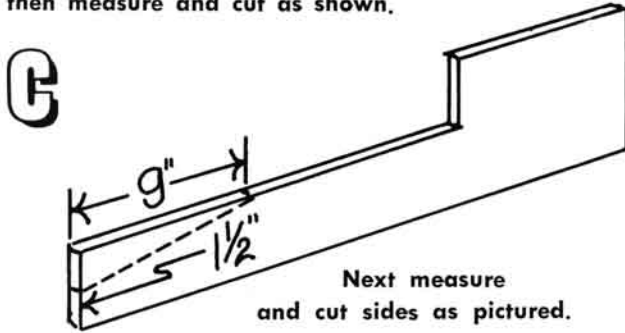
So there you have it; and if you build a mini, send us a photo of yourself and your unit, maybe we can run it in the *Treasure* photo album. ■

WHAT YOU WILL NEED

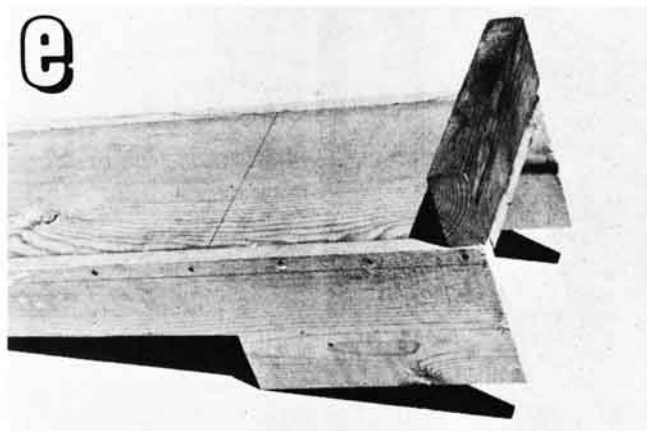
- (1) 4 foot 1x10
- (2) 3 foot 1x8s
- (2) 22 inch long 1x1s
- (12) 9½ inch long molding, approx. ¾x¼ (see photo)
- (1) 11 inch 2x4
- (1) 9½x22 piece of outdoor carpeting
- (4) 3/16 inch bolts, plus 8 flat washers and 4 wing nuts



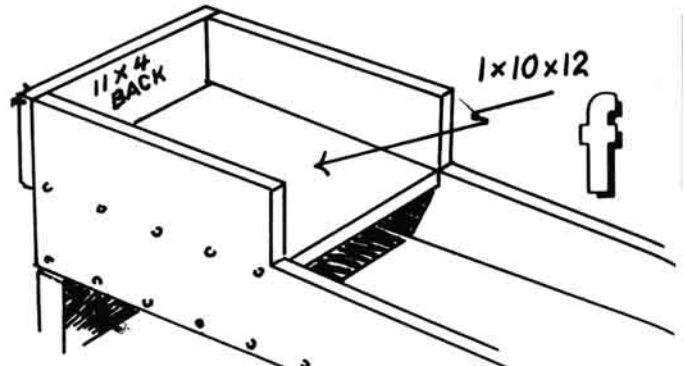
The sides are next, these are 2 pieces of 1x8 3 foot long; then measure and cut as shown.



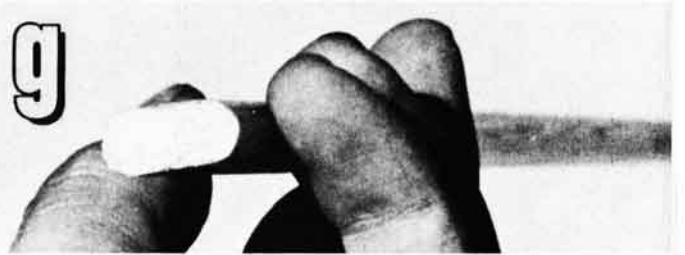
Nail the side pieces to the outside edge of the bottom section, the sluce is already taking shape.



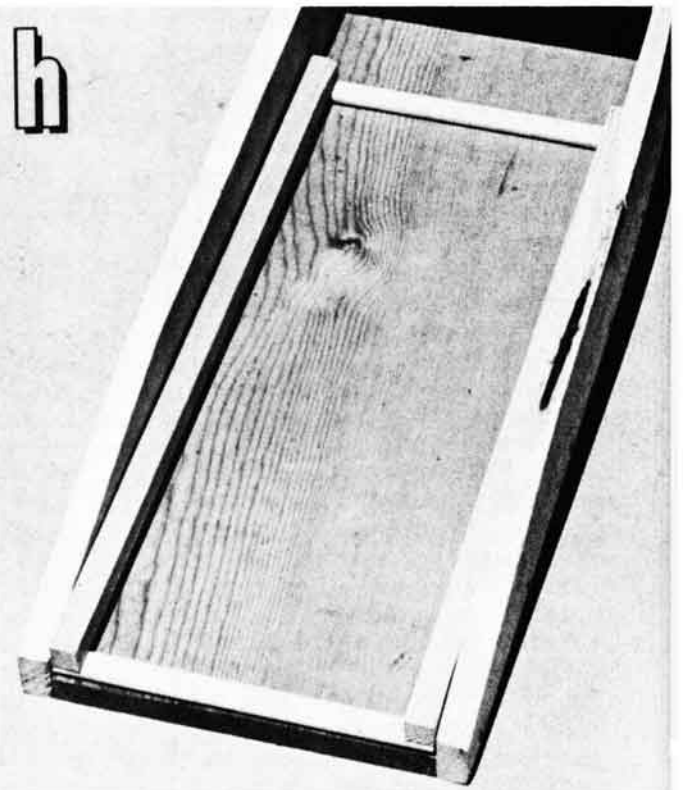
Now fasten the 11 inch 2x4 to the back end of the unit, this sets the sluce at the proper angle for use and helps to anchor it down in the stream bed.



Next comes the holding tray. Position the 1 foot piece of 1x10 as shown, and nail in place. At the same time cut a piece of lumber 11x4 and seal off the back.



We used 3/4x1/4 molding for our riffles, but just about anything you might have to this size will work fine.



Now to the riffle tray. First position the two 22 inch long 1x1's in the main box taking care to leave room for expansion when the wood becomes wet. Once this done, measure the distance from the outside edges, then cut 2 pieces from th molding being used for the riffles and nail them on each end of the 1x1's. Now give it one last check in the main unit. If it fits properly, remove it and install the additional riffles (ours measured about 1-1/8 inches apart from edge to edge).

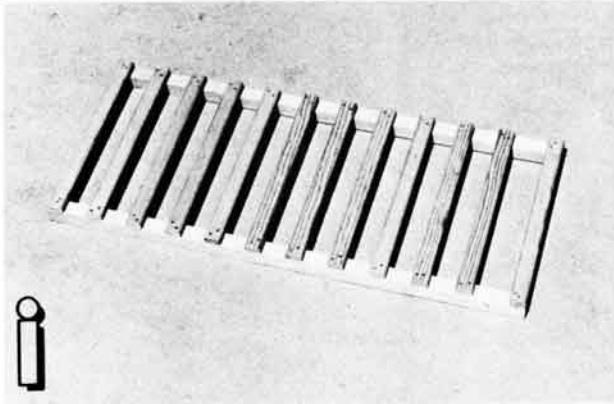
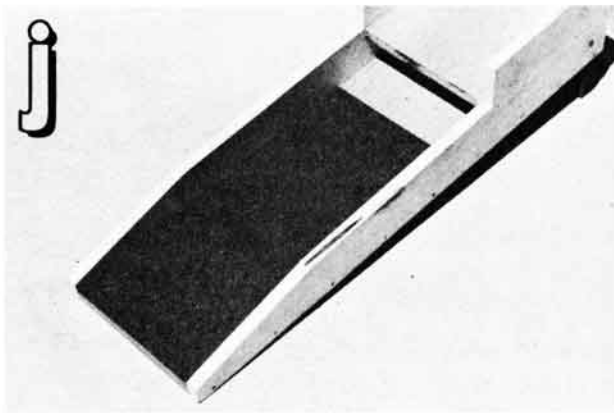
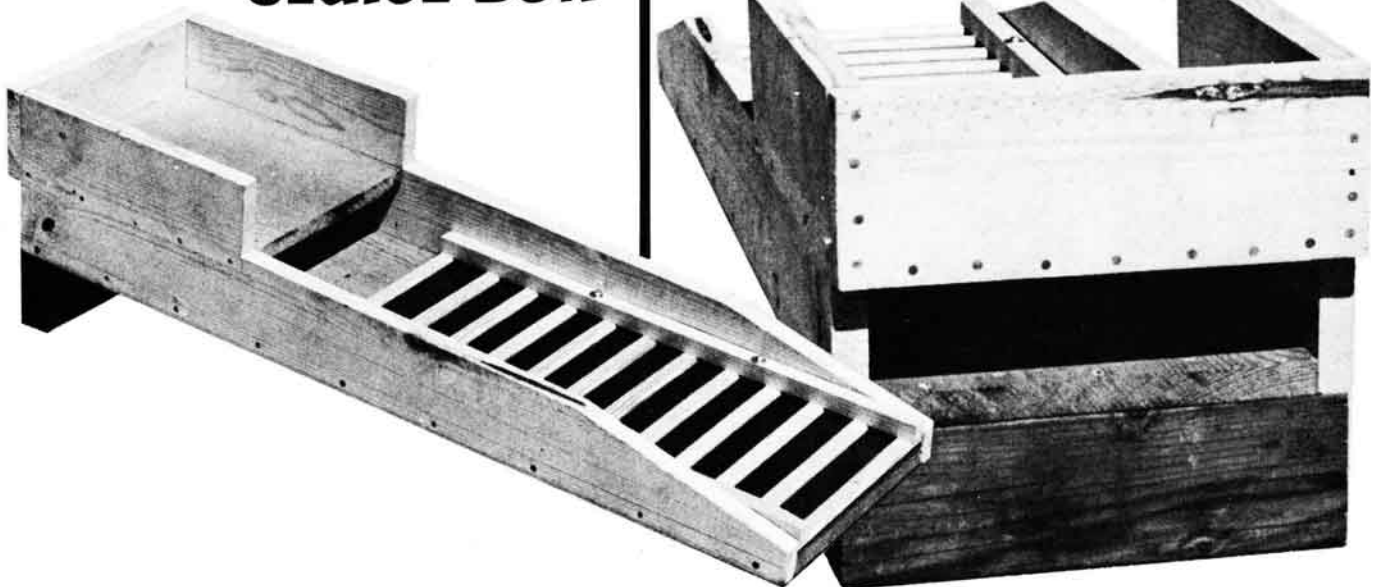


Photo shows the under side of finished tray.



Next fit the indoor-outdoor carpeting; this should be a piece about 9-1/2x22 (the carpeting is used to trap the very fine gold).

BUILD YOUR OWN SLUICE BOX



Now that the sluice is finished, all that remains is to give it a good coat of waterproof varnish.



The last step is to position the carpeting and riffle tray in the main box, then drill four 1/4 inch holes through the 1x1's, the carpeting, and the bottom of the main box. Install the bolts, which ensure that the riffles are held down firmly against the carpeting.